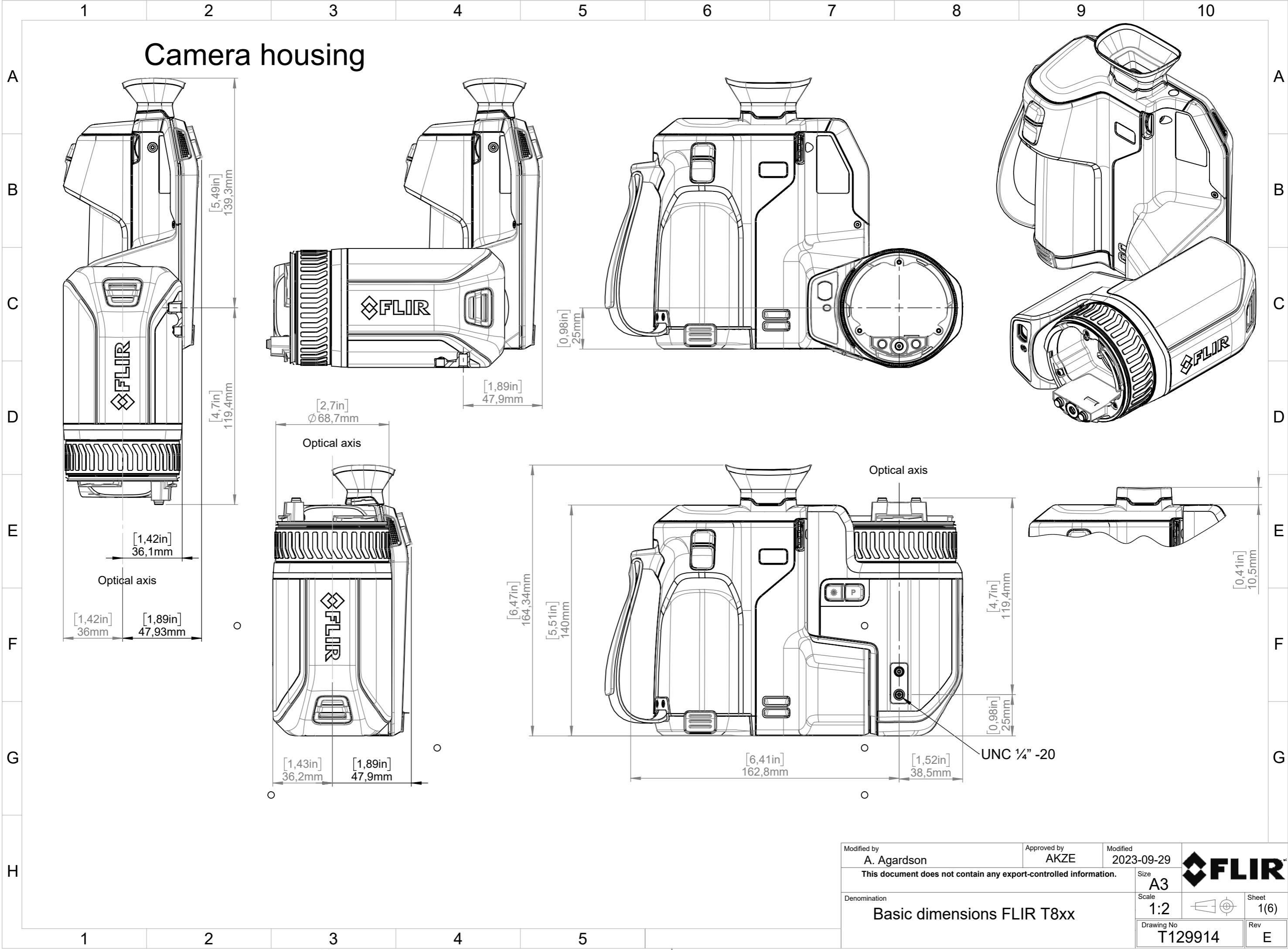


This document must not be communicated or copied completely or in part, without our permission. Any infringement will lead to legal proceedings. FLIR SYSTEMS AB

Camera housing



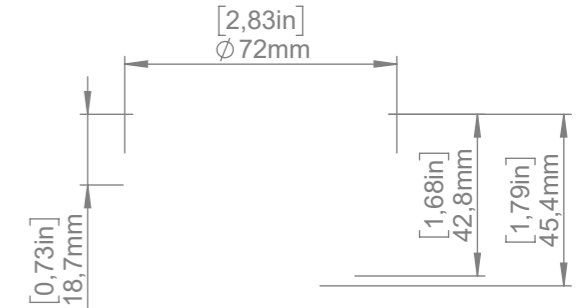
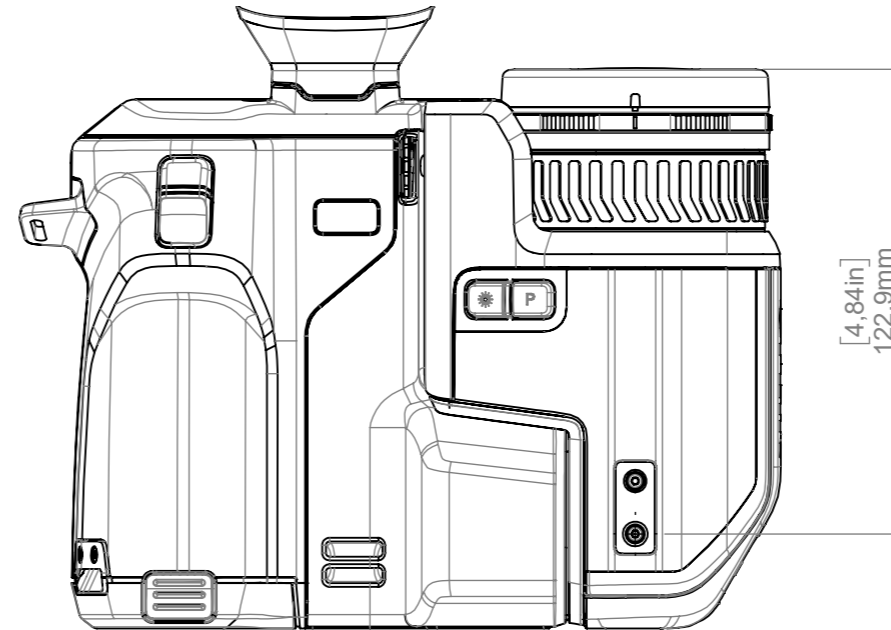
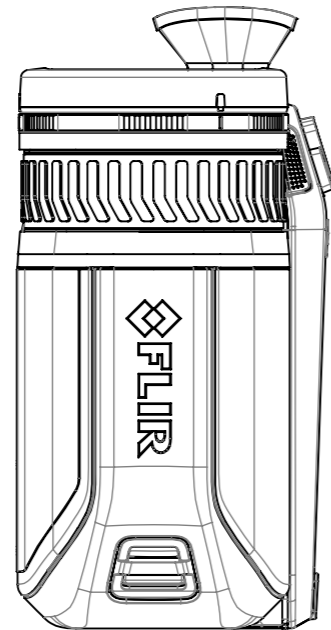
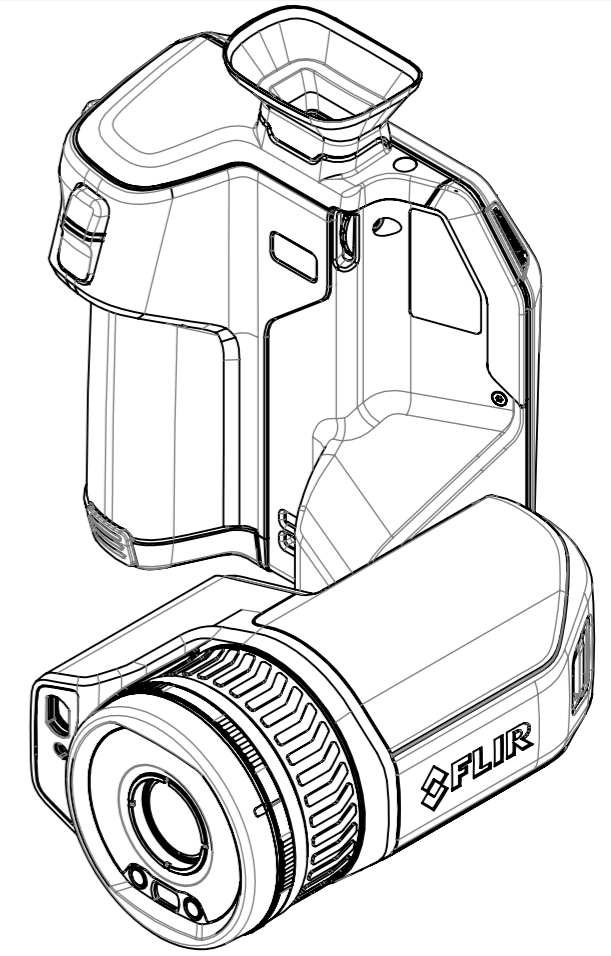
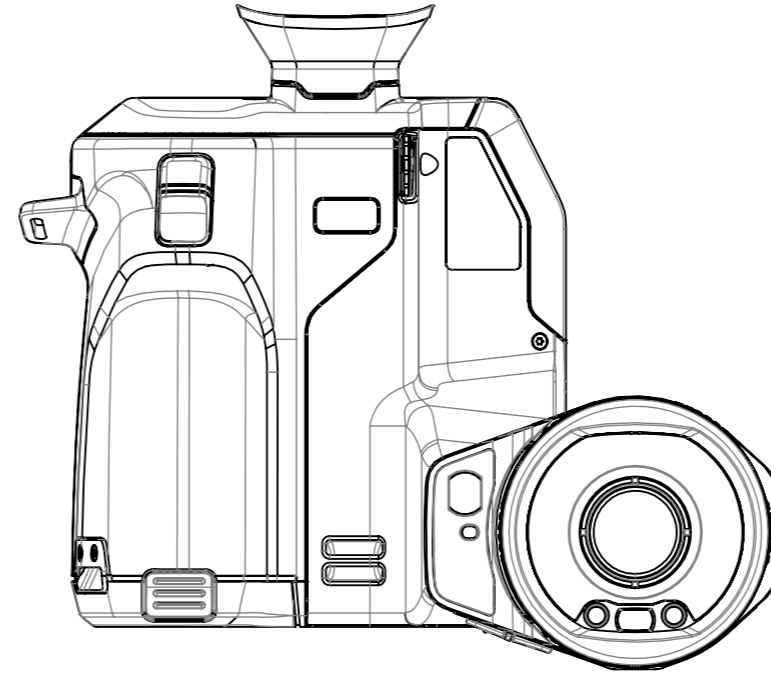
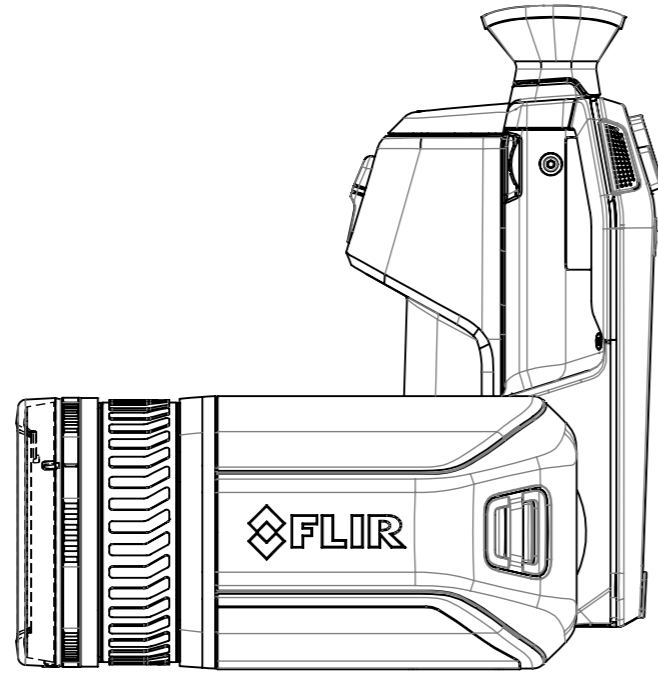
Den här handlingen får ej delges annan, kopieras i sin helhet eller delar utan vårt medgivande. Överträdelse härav beivras med stöd av gällande lag. FLIR SYSTEMS AB

Modified by A. Agardson	Approved by AKZE	Modified 2023-09-29	
This document does not contain any export-controlled information.			
Denomination Basic dimensions FLIR T8xx		Size A3	Sheet 1(6)
		Scale 1:2	Rev E
		Drawing No. T129914	

This document must not be communicated or copied completely or in part, without our permission. Any infringement will lead to legal proceedings. FLIR SYSTEMS AB

Denna handling får ej delges annan, kopieras i sin helhet eller delar utan vårt medgivande. Överträdelse härav beivras med stöd av gällande lag. FLIR SYSTEMS AB

- Camera with Lens IR f=10mm (42°)
- Camera with Lens IR f=17mm (24°)
- Camera with Lens IR f=29mm (14°)
- Camera with Lens IR Close-Up lens 2x

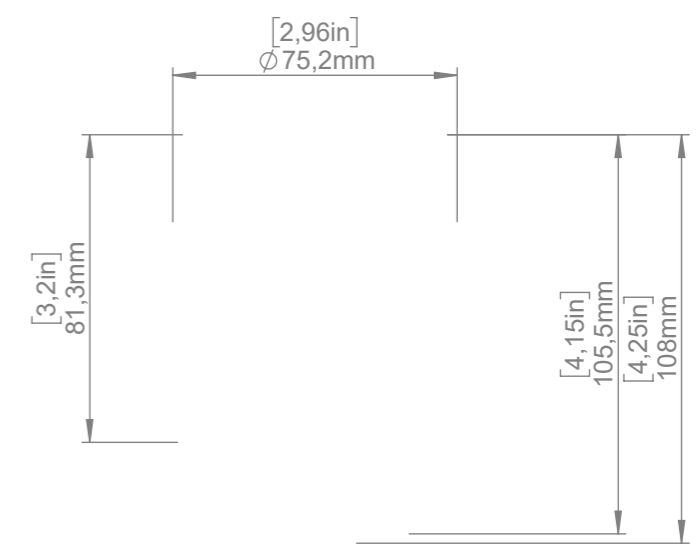
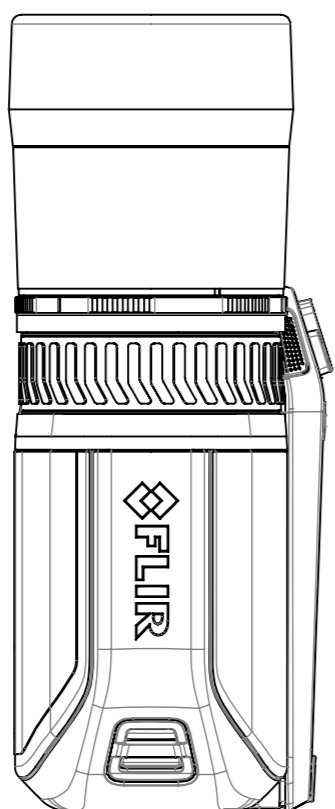
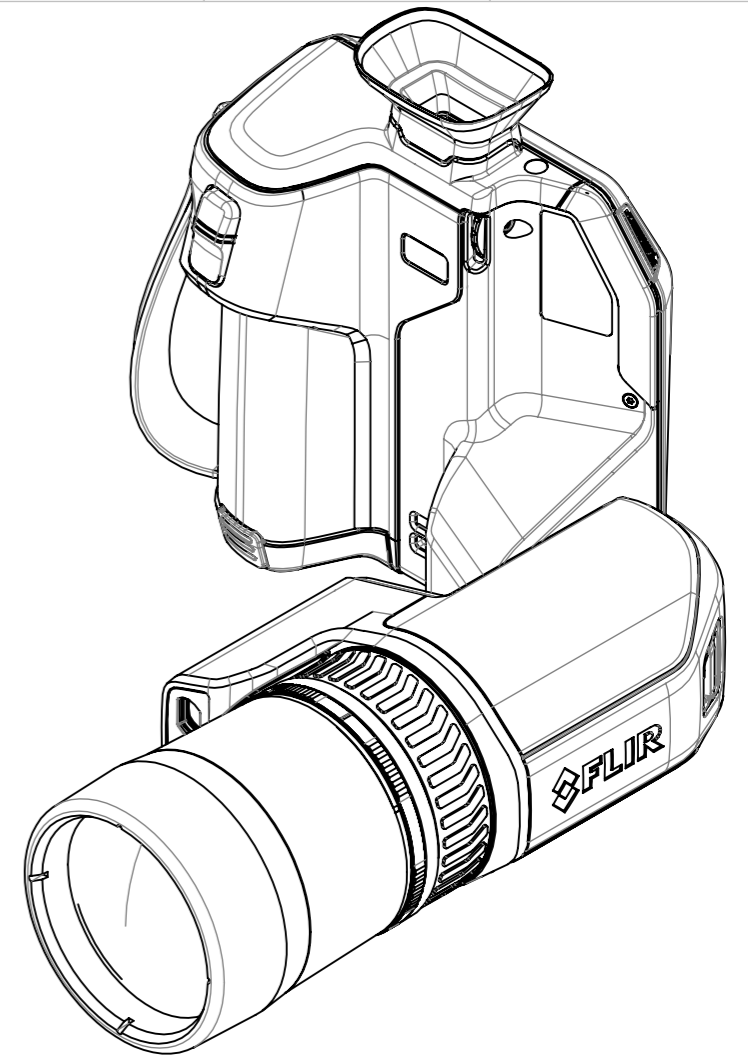
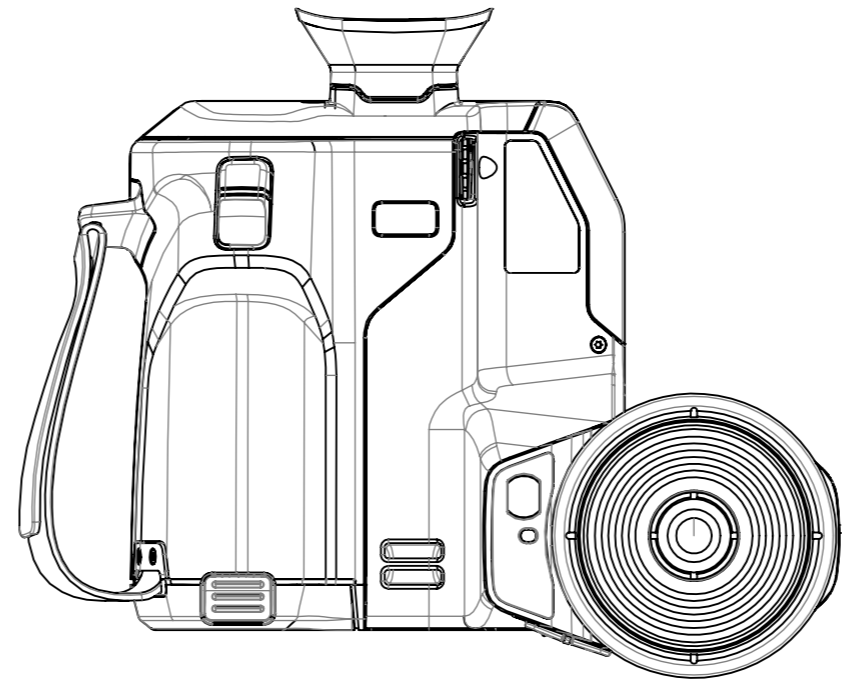
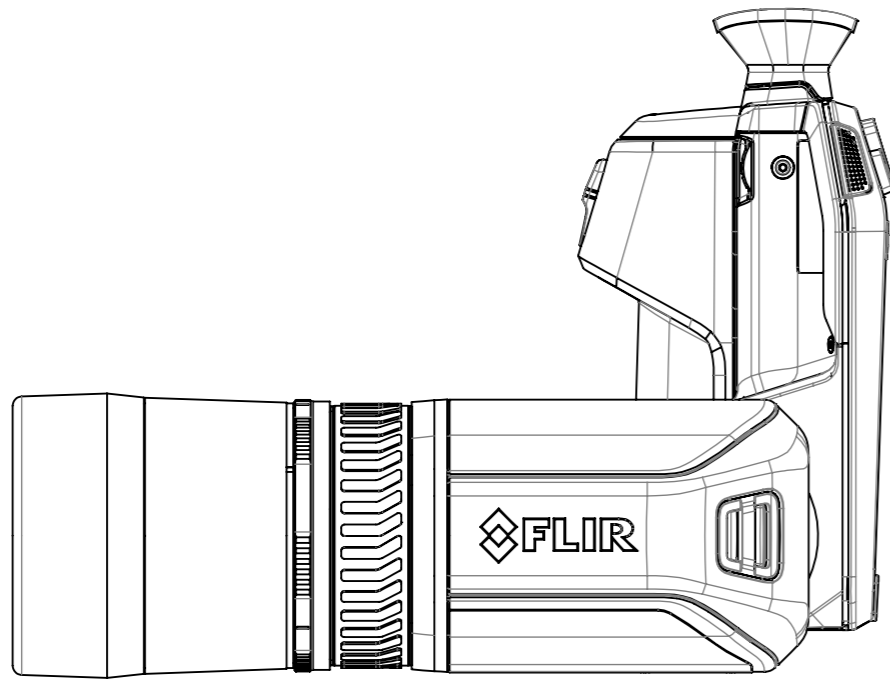


For additional dimensions see page 1

Modified by A. Agardson	Approved by AKZE	Modified 2023-09-29		
This document does not contain any export-controlled information.				Size A3
Denomination Basic dimensions FLIR T8xx			Scale 1:5	Sheet 2(6)
Drawing No T129914			Rev E	

This document must not be communicated or copied completely or in part, without our permission. Any infringement will lead to legal proceedings. FLIR SYSTEMS AB

Camera with Lens IR f=70mm (6°)



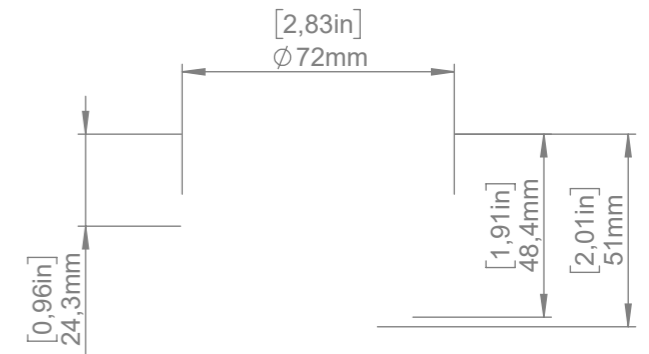
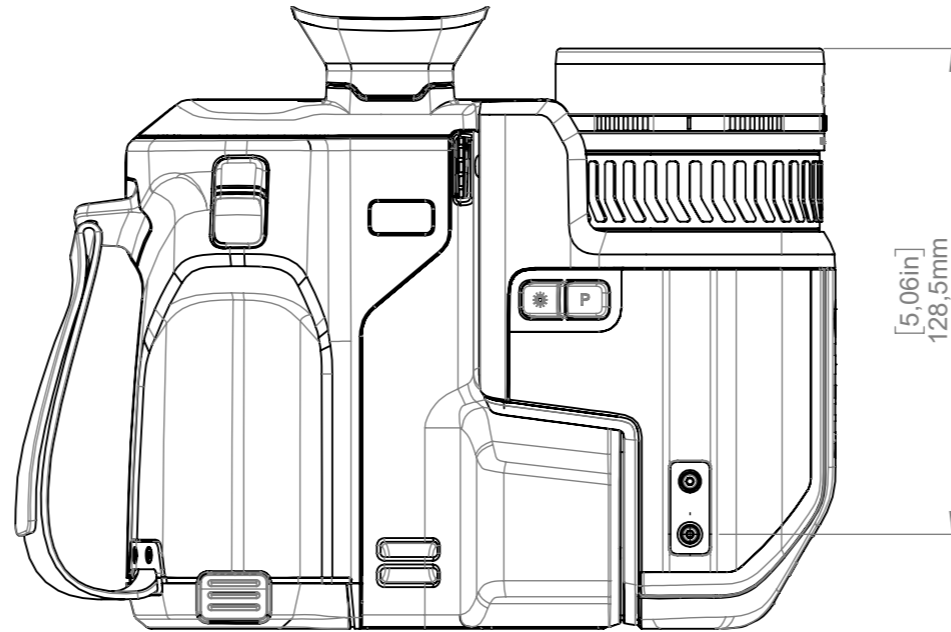
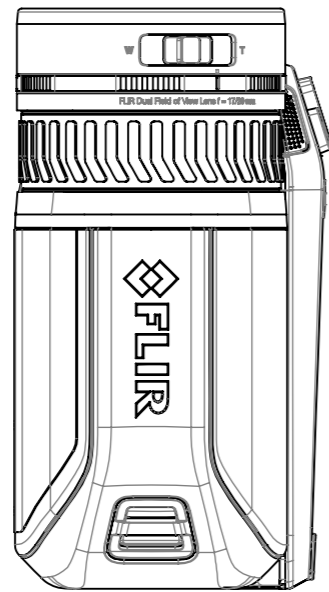
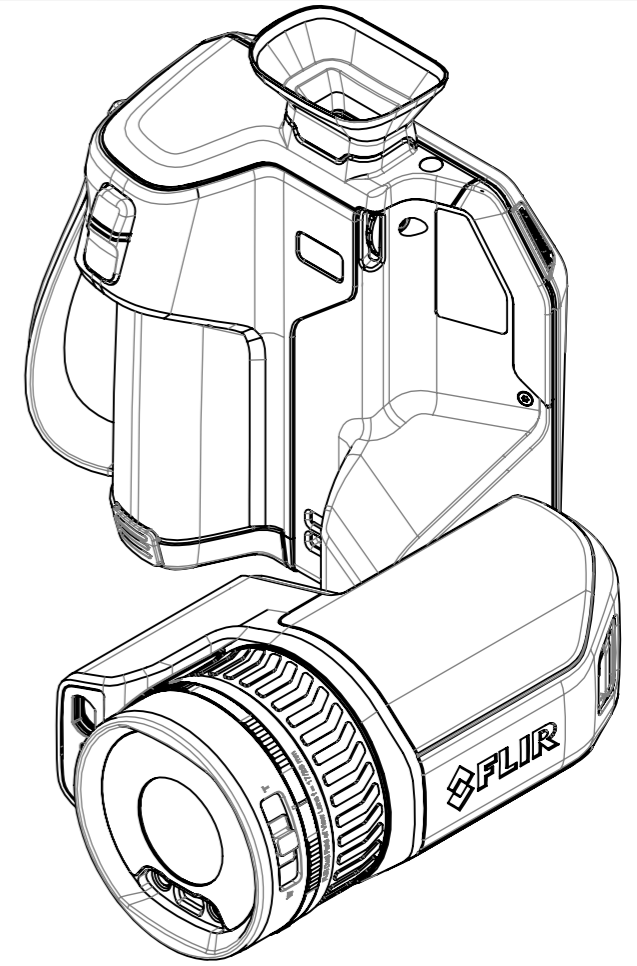
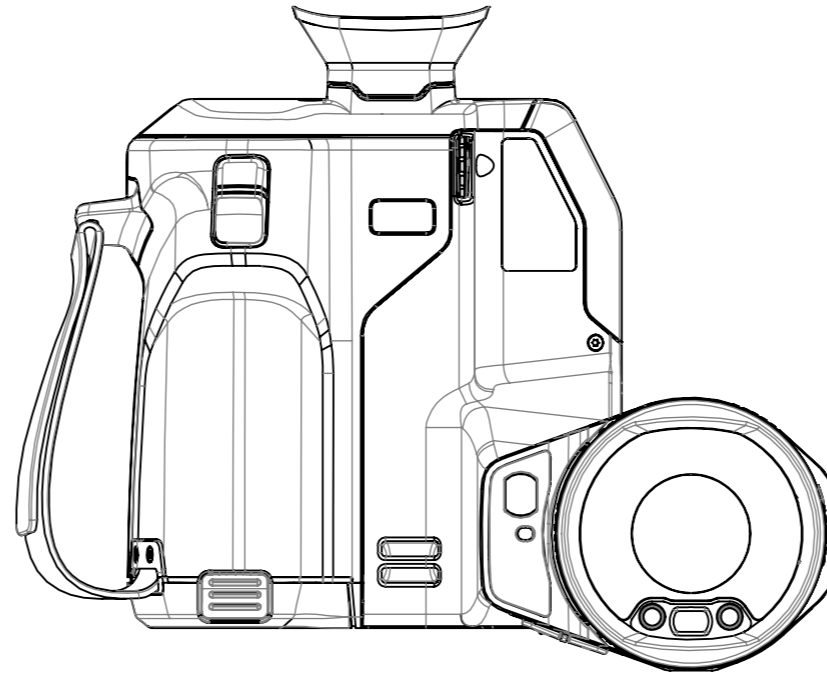
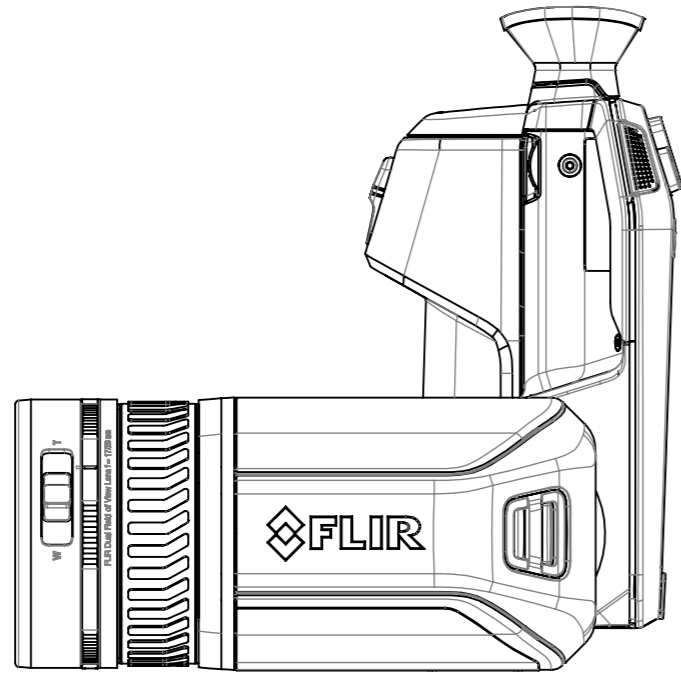
For additional dimensions see page 1

Denna handling får ej delges annan, kopieras i sin helhet eller delar utan vårt medgivande. Överträdelse härav beivras med stöd av gällande lag. FLIR SYSTEMS AB

Modified by A. Agardson	Approved by AKZE	Modified 2023-09-29	
This document does not contain any export-controlled information.			
Denomination Basic dimensions FLIR T8xx			Scale 1:5
Drawing No T129914		Sheet 3(6)	Rev E

This document must not be communicated or copied completely or in part, without our permission. Any infringement will lead to legal proceedings. FLIR SYSTEMS AB

Camera with Lens IR f=17/29mm (DFOV) D



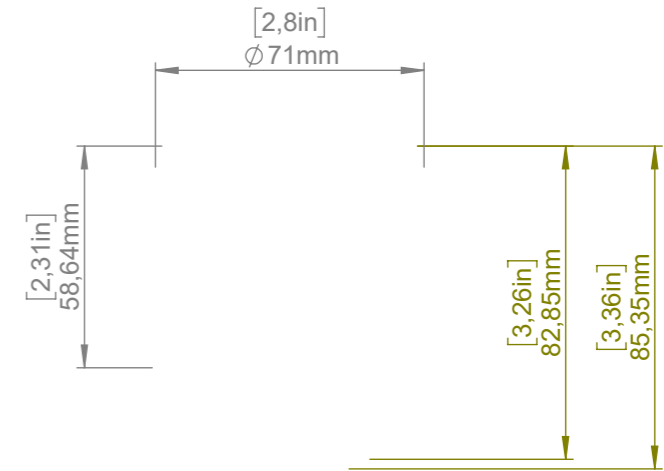
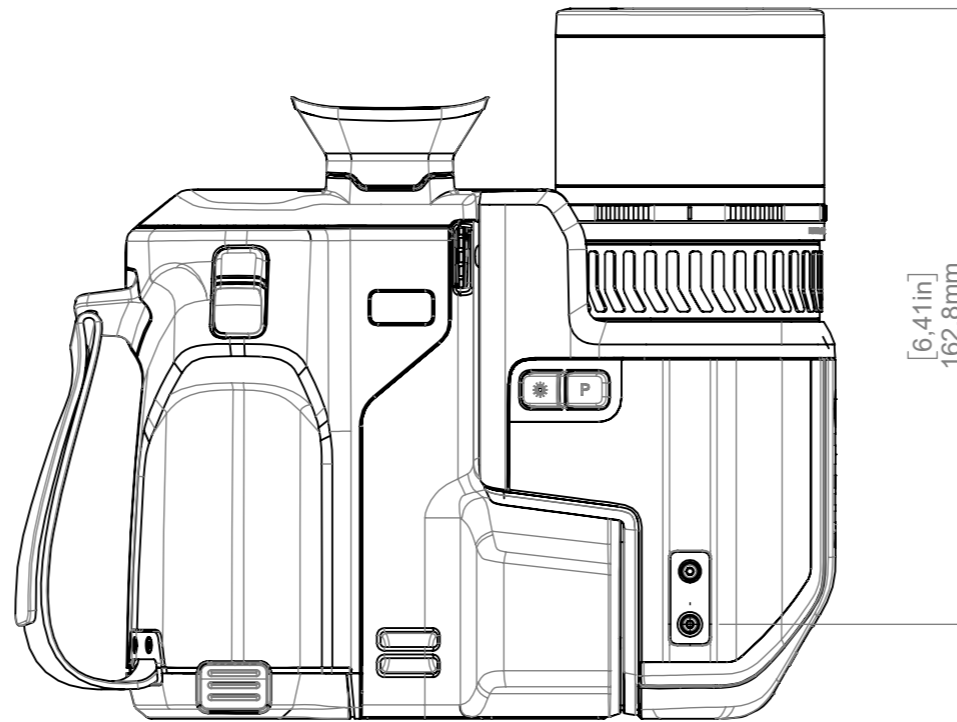
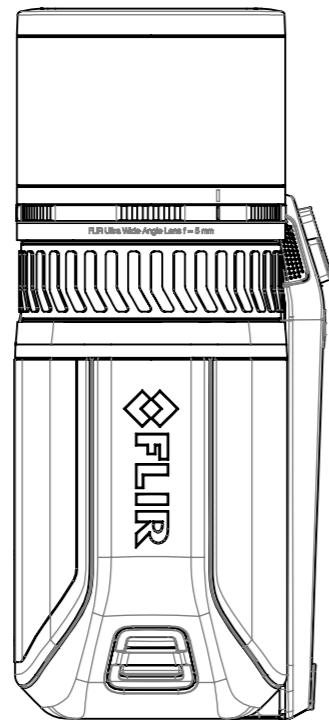
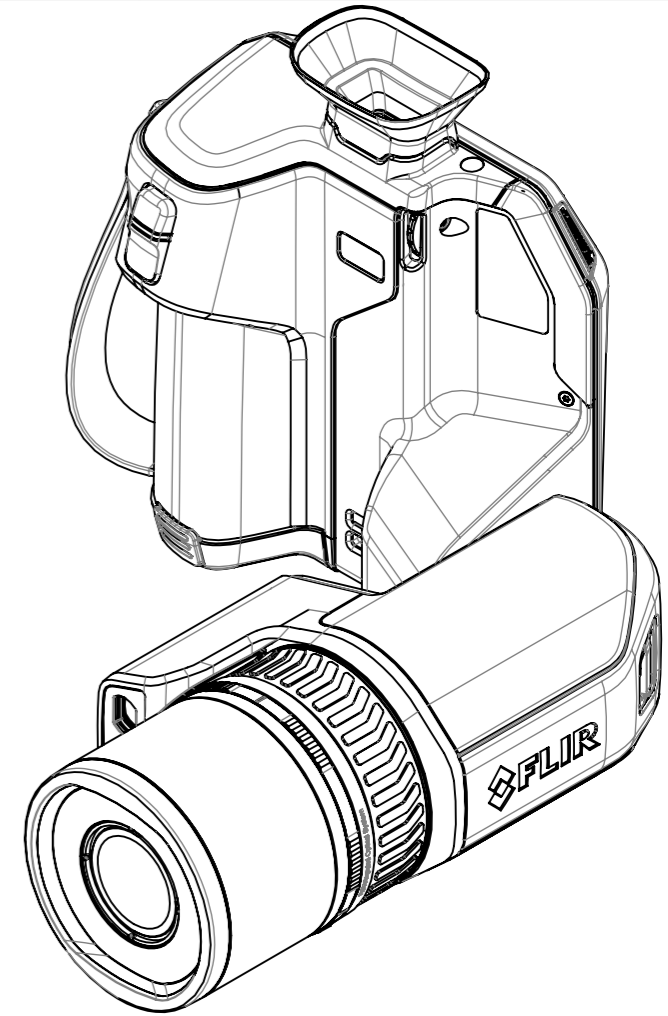
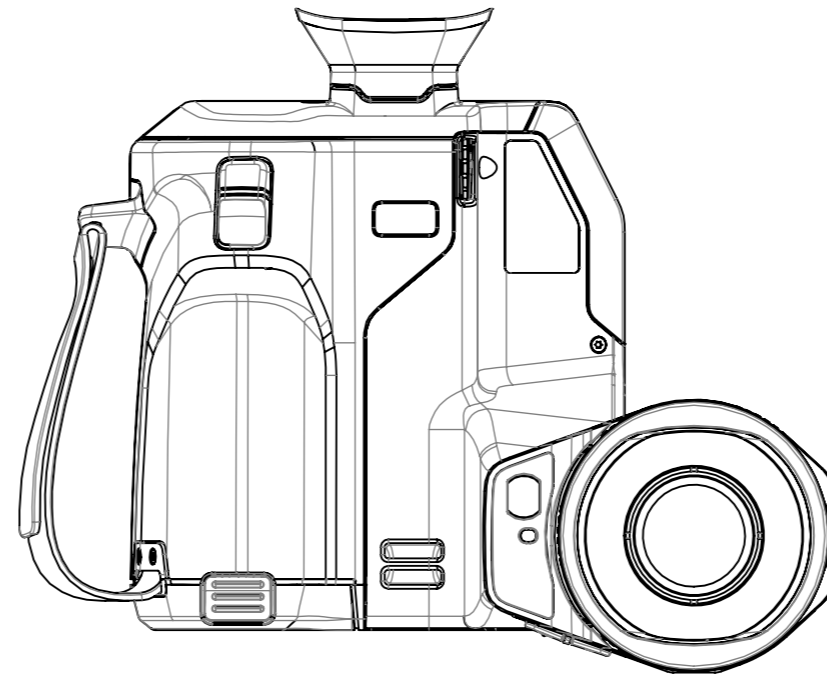
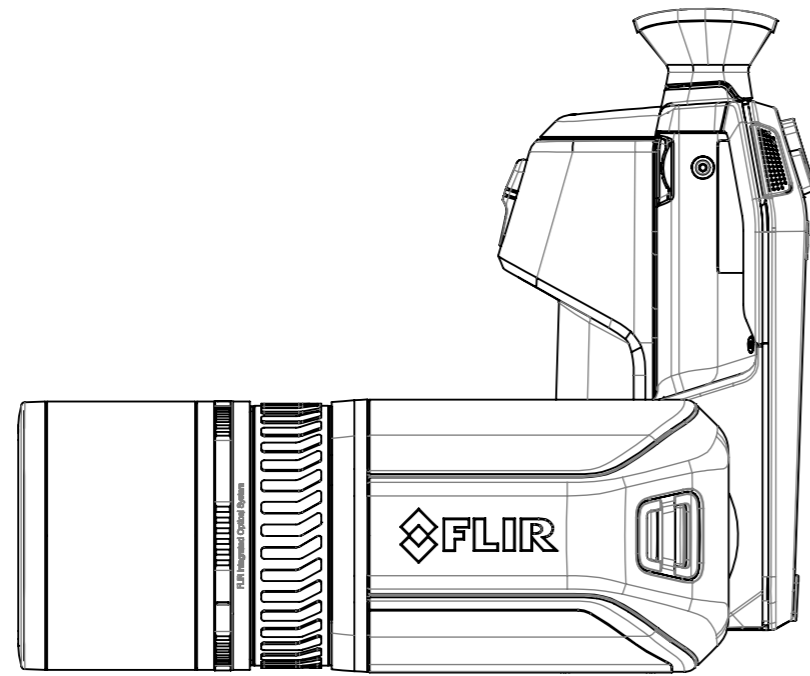
For additional dimensions see page 1

Denna handling får ej delges annan, kopieras i sin helhet eller delar utan vårt medgivande. Överträdelse härav beivras med stöd av gällande lag. FLIR SYSTEMS AB

Modified by A. Agardson	Approved by AKZE	Modified 2023-09-29			
This document does not contain any export-controlled information.				Size A3	
Denomination Basic dimensions FLIR T8xx			Scale 1:5		Sheet 4(6)
			Drawing No T129914	Rev E	

This document must not be communicated or copied completely or in part, without our permission. Any infringement will lead to legal proceedings. FLIR SYSTEMS AB

Camera with Lens IR f=5mm (80°)



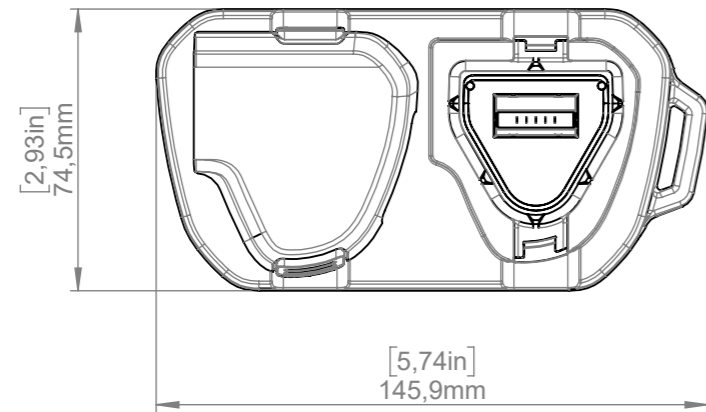
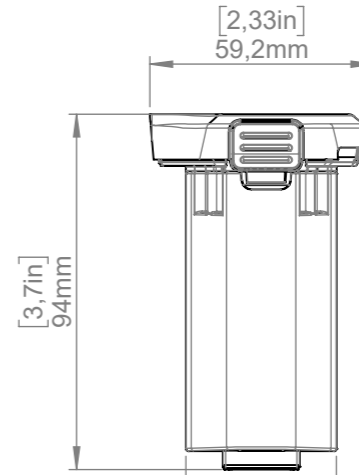
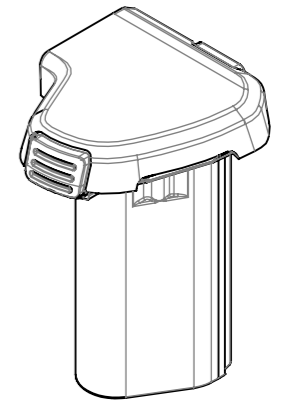
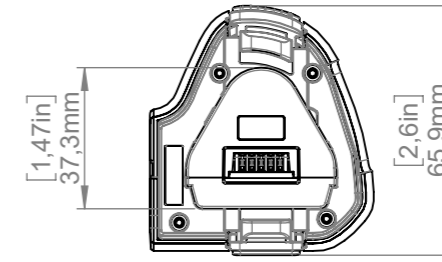
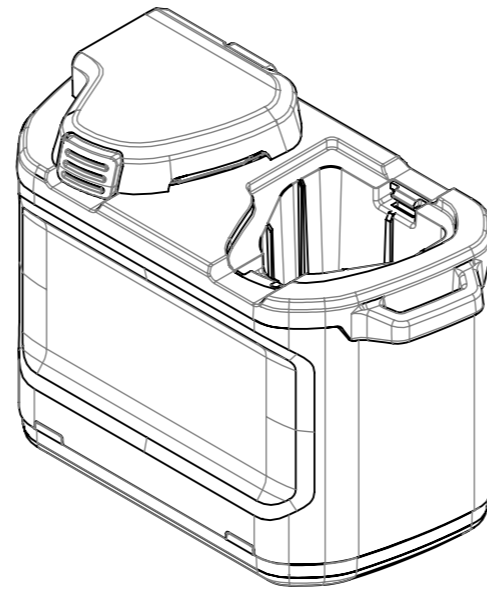
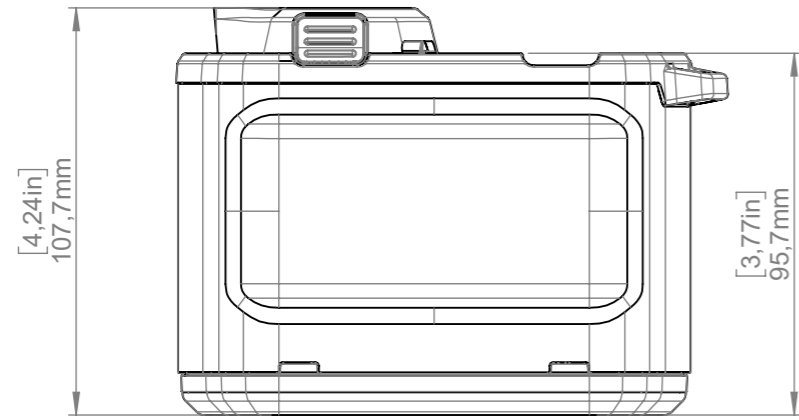
For additional dimensions see page 1

Denna handling får ej delges annan, kopieras i sin helhet eller delar utan vårt medgivande. Överträdelse härav beivras med stöd av gällande lag. FLIR SYSTEMS AB

Modified by A. Agardson	Approved by AKZE	Modified 2023-09-29		
This document does not contain any export-controlled information.				Size A3
Denomination Basic dimensions FLIR T8xx			Scale 1:5	Sheet 5(6)
Drawing No T129914			Rev E	

This document must not be communicated or copied completely or in part, without our permission. Any infringement will lead to legal proceedings. FLIR SYSTEMS AB

Battery Charger



Den här handlingen får ej delges annan, kopieras i sin helhet eller delar utan vårt medgivande. Överträdelse härav beivras med stöd av gällande lag. FLIR SYSTEMS AB

Modified by A. Agardson	Approved by AKZE	Modified 2023-09-29		
This document does not contain any export-controlled information.				Size A3
Denomination Basic dimensions FLIR T8xx			Scale 1:5	Sheet 6(6)
			Drawing No. T129914	Rev E