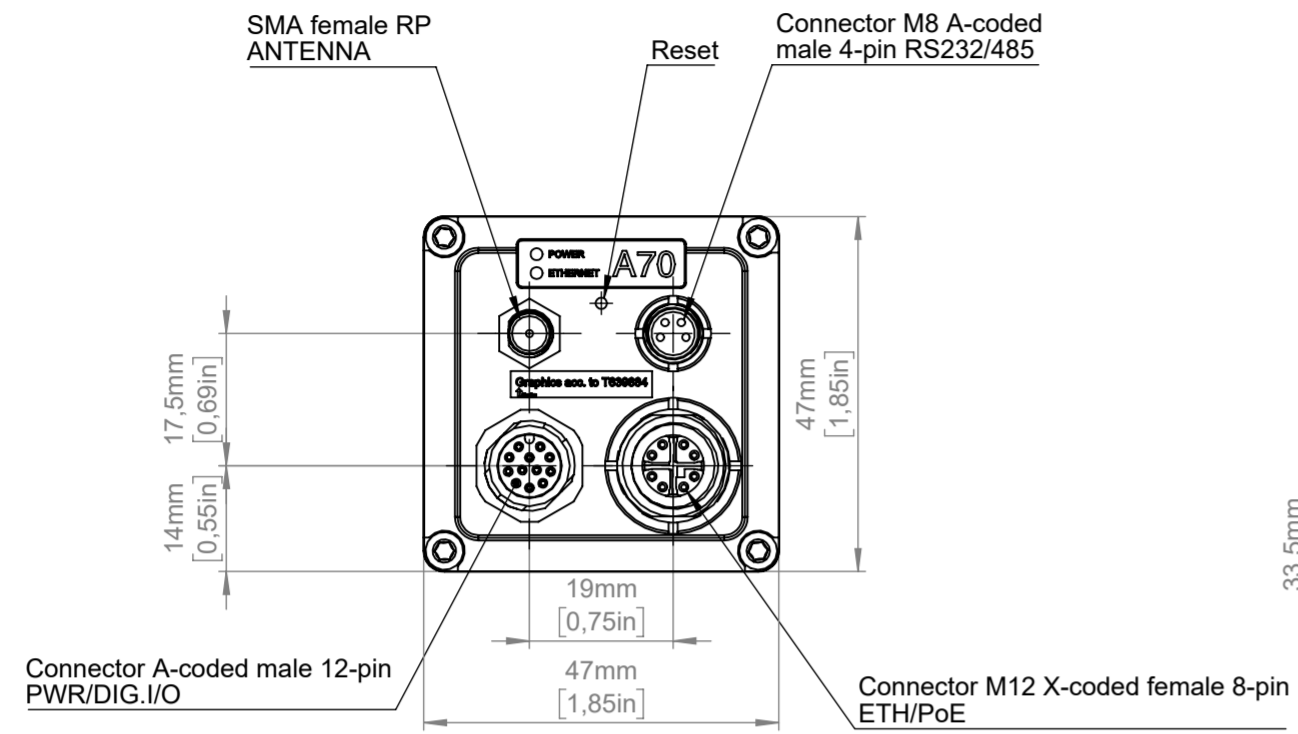
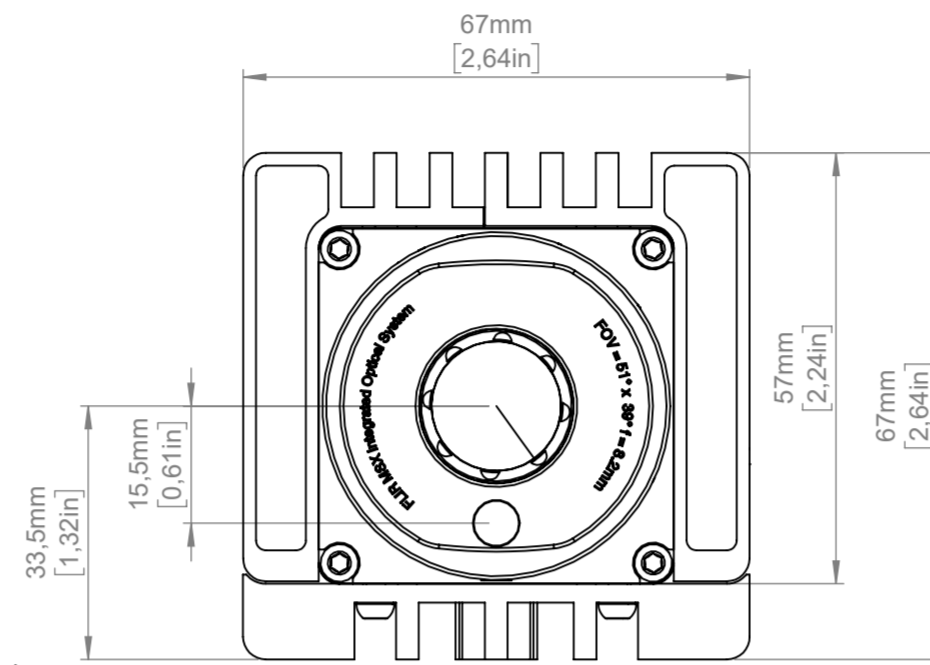


Generic dimensions for all FOV

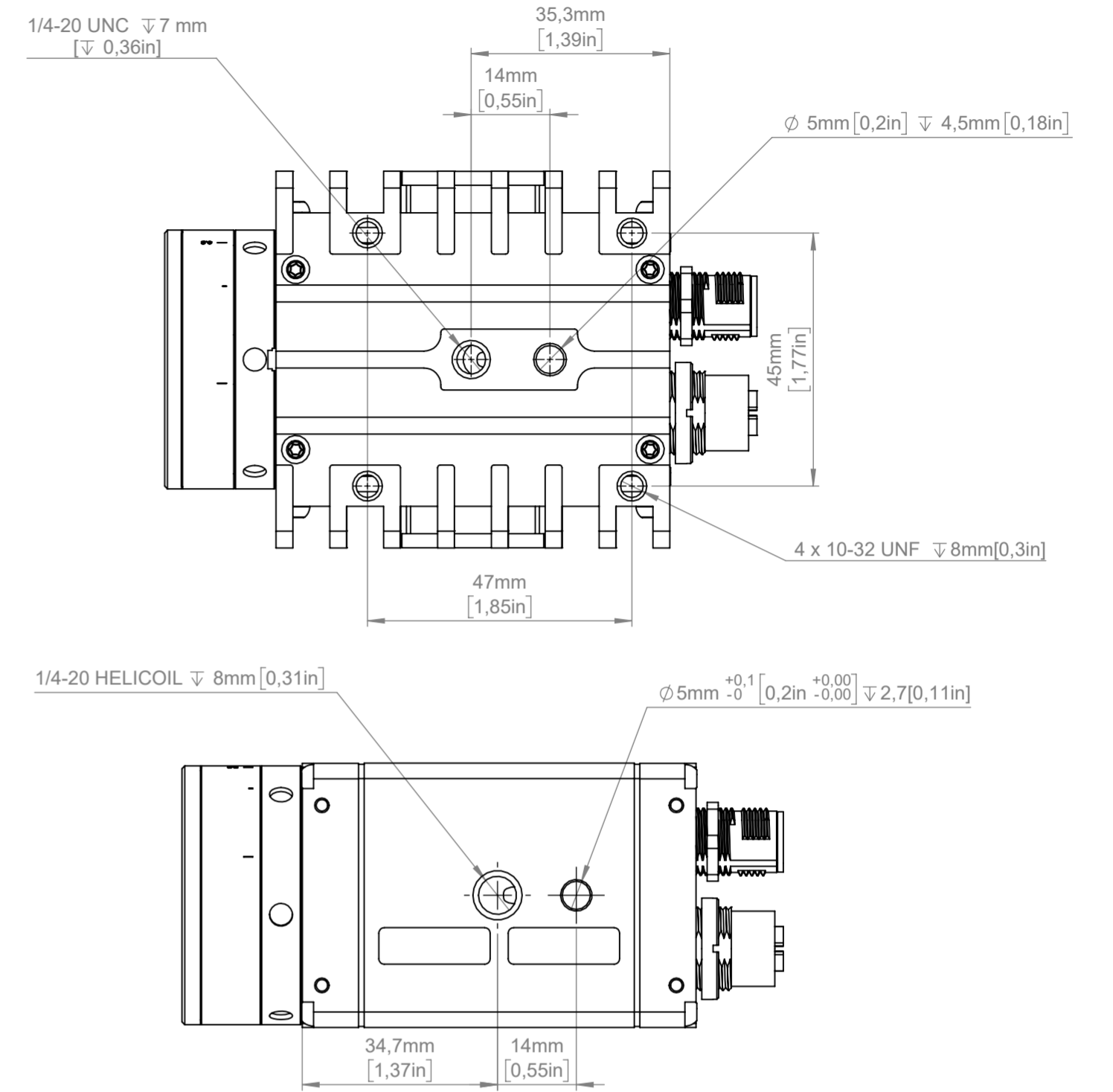
Back View



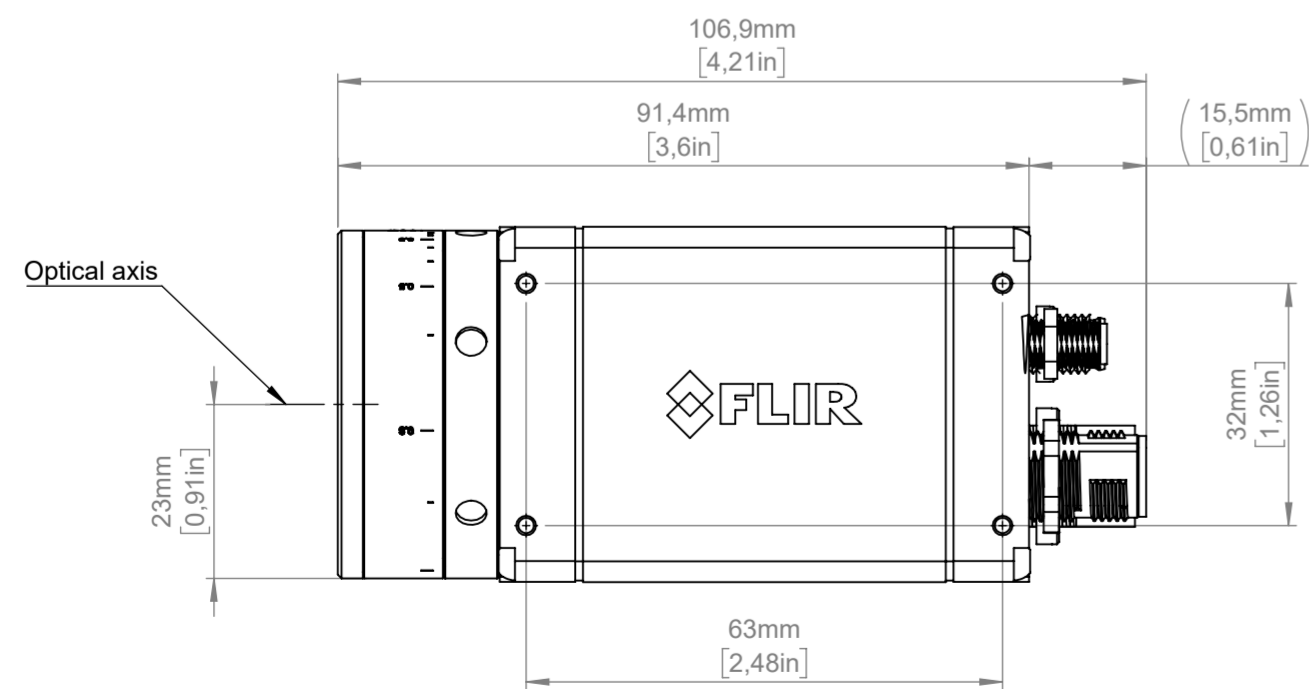
Front View



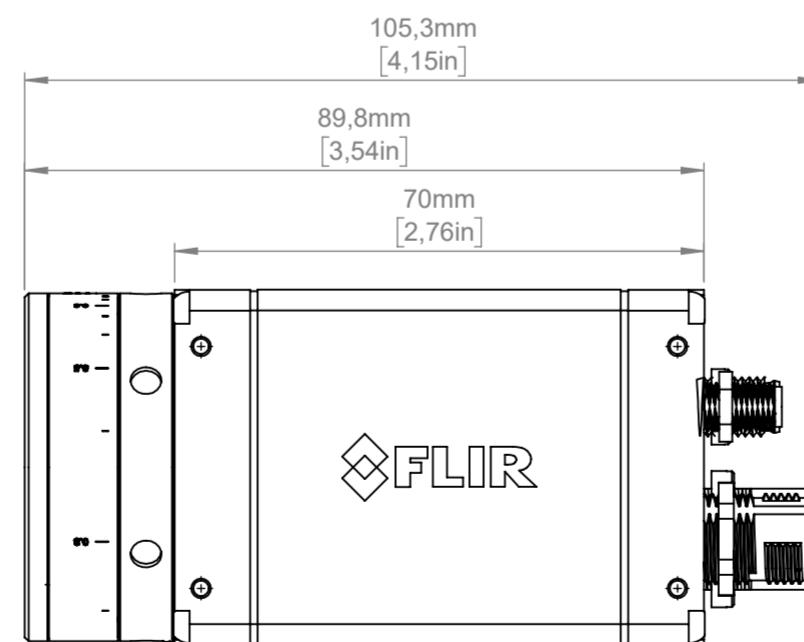
Bottom View



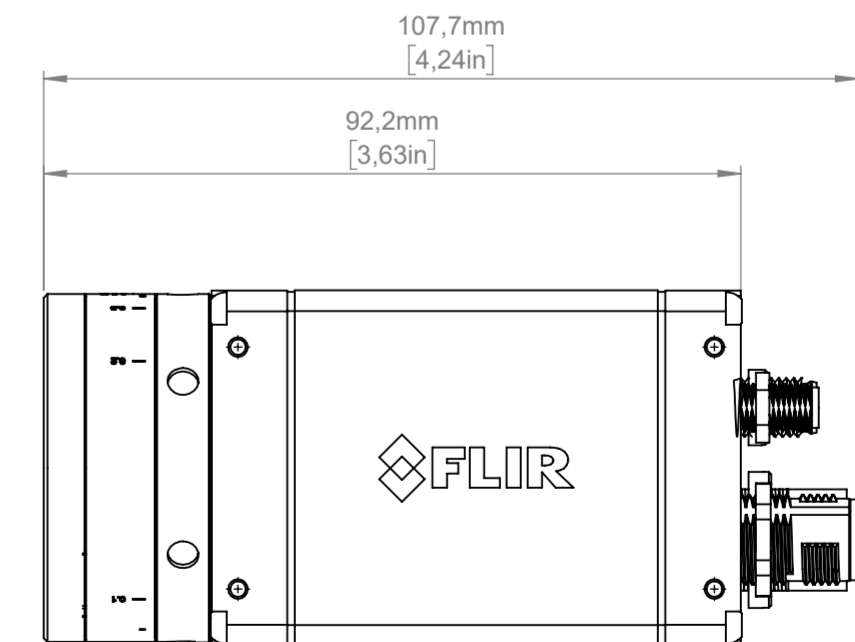
IR Lens 29 deg



IR Lens 51 deg



IR Lens 95 deg



© 2016 FLIR Systems, Inc. All rights reserved worldwide. No part of this drawing may be reproduced, stored in a retrieval system, or transmitted in any form, or by any means, electronic, mechanical, photocopying, recording, or otherwise, without the prior written permission of FLIR Systems, Inc. Specifications are subject to change without notice. Dimensions are based on nominal values. Products may be subject to regional market considerations. License procedures may apply. Product may be subject to US Export Regulations. Please refer to exportregulations@flir.com with any questions. Diversion contrary to US law is prohibited.

Modified: 2021-04-15
 Check: JOHE
 Drawn by: R&D

Basic dimension Ax0

Size	A2		Sheet	1(1)
Scale	1:1		Rev	A
Drawing No.	T131228			