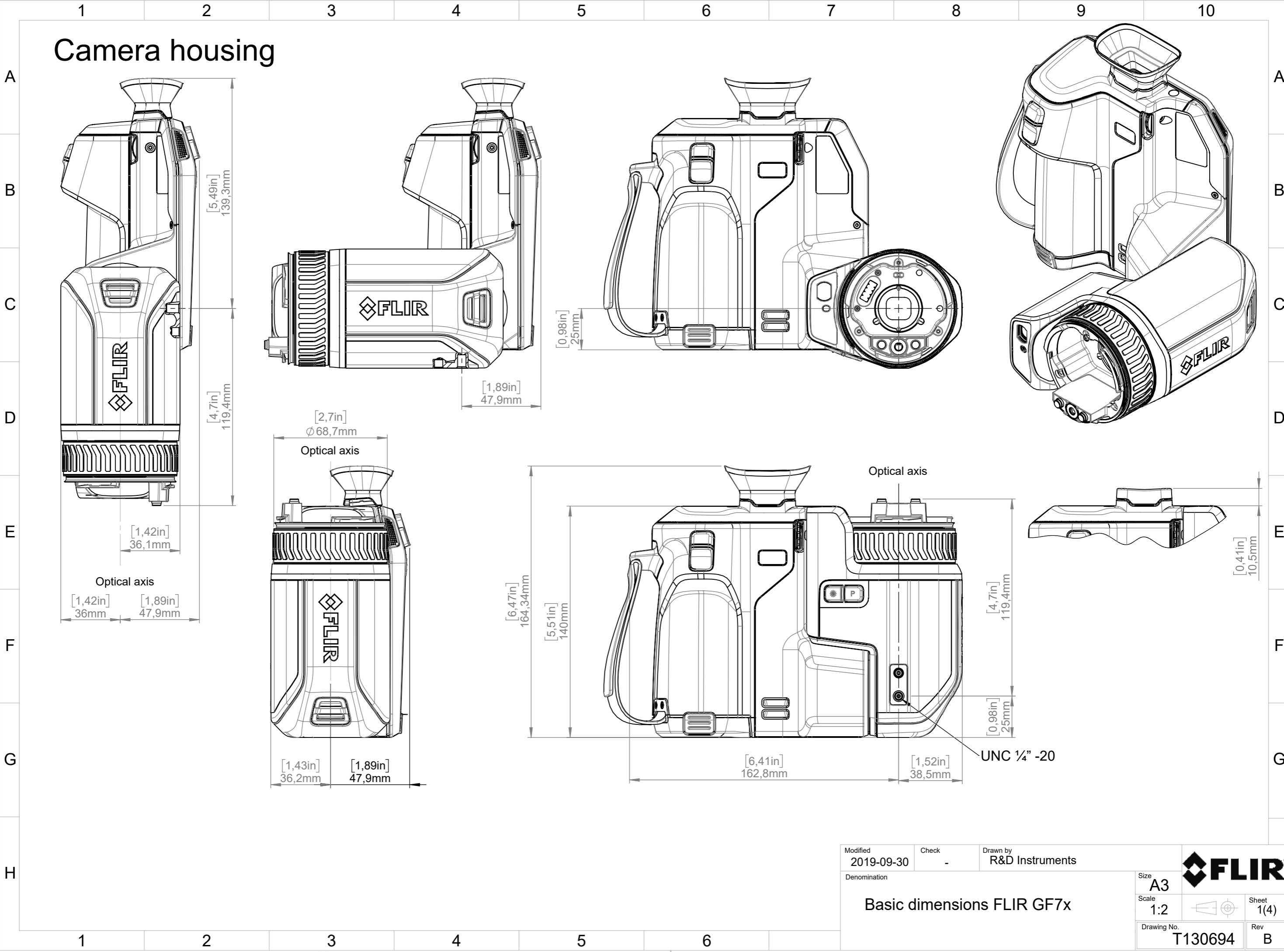


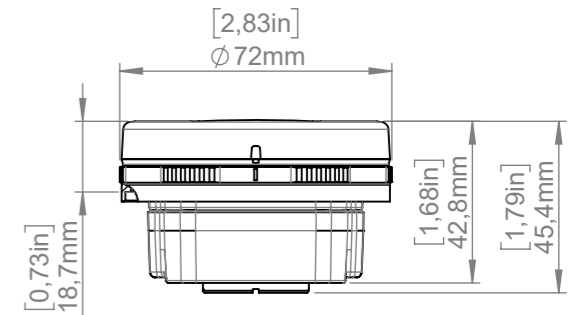
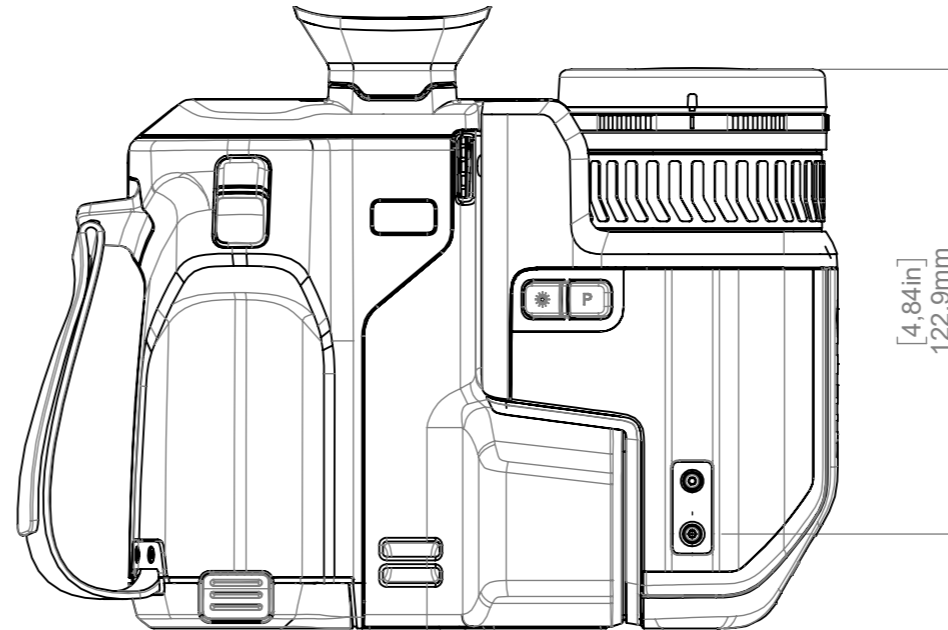
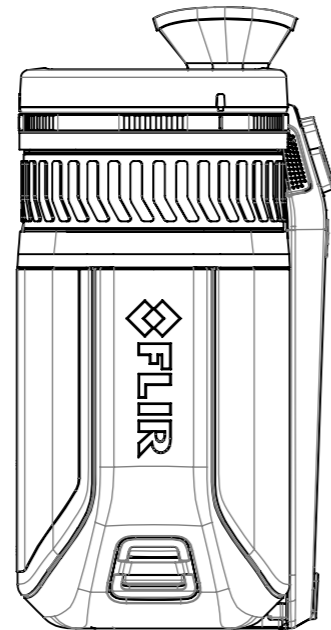
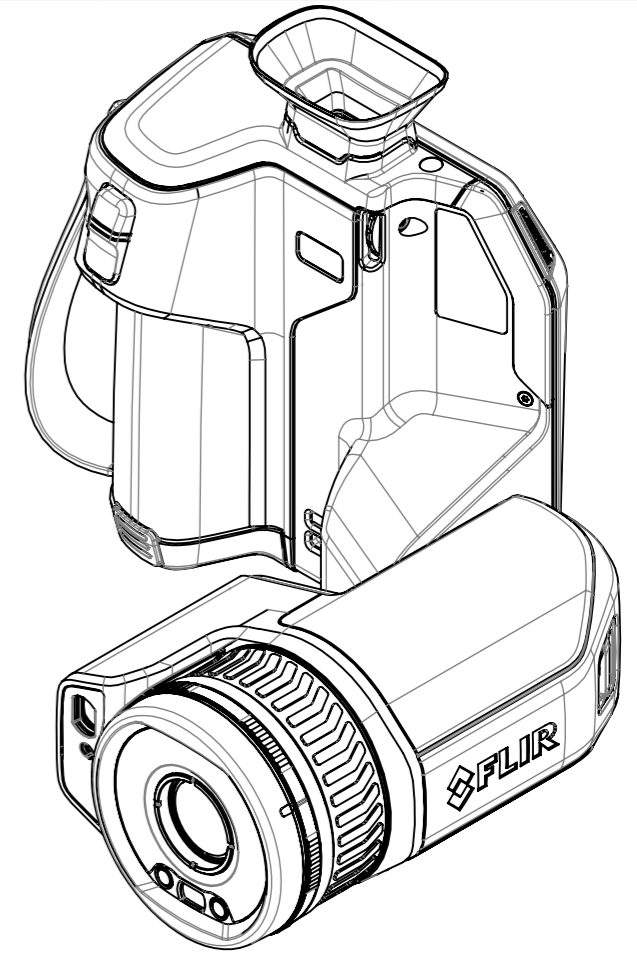
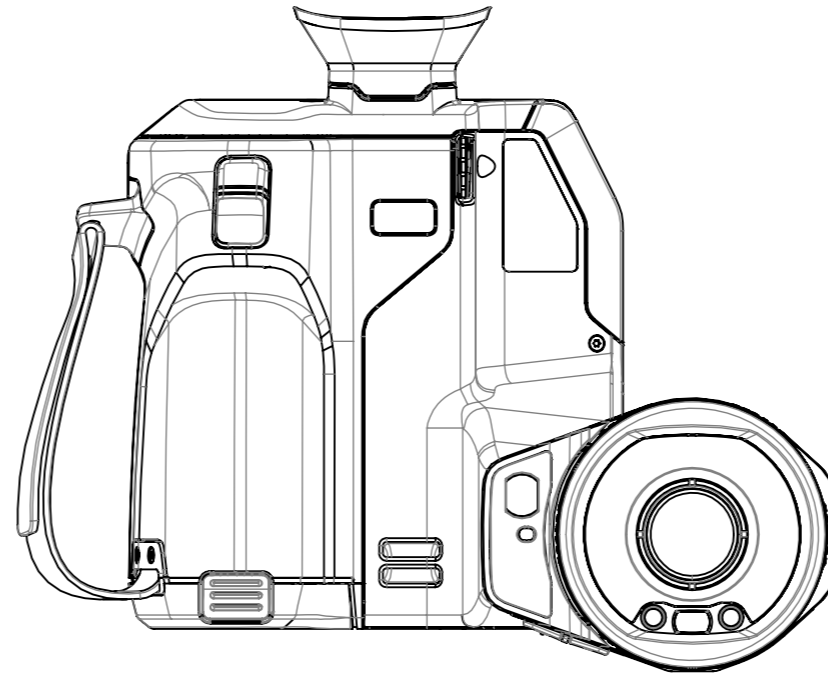
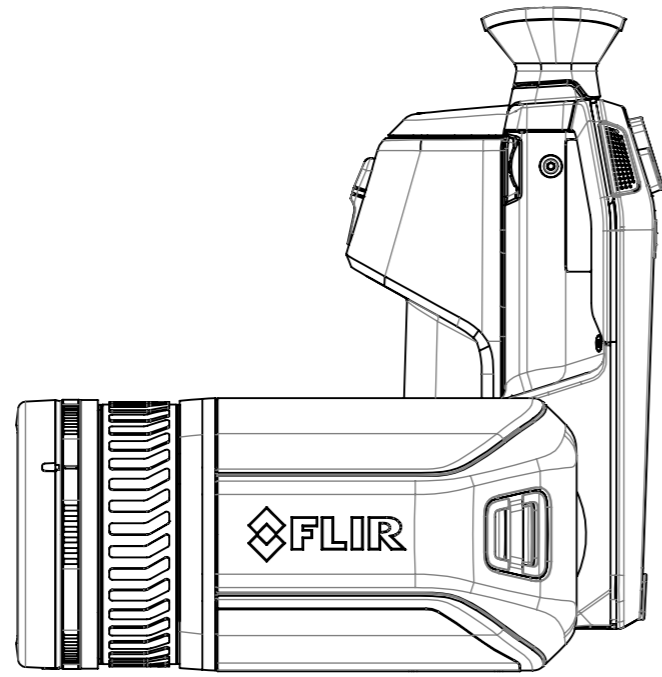
# Camera housing



© 2016 FLIR Systems, Inc. All rights reserved worldwide. No part of this drawing may be reproduced, stored in a retrieval system, or transmitted in any form, or by any means, electronic, mechanical, photocopying, recording, or otherwise without written permission from FLIR Systems, Inc. Specifications subject to change without further notice. Dimensional data is based on nominal values. Products may be subject to regional market considerations. License procedures may apply. Product may be subject to US Export Regulations. Please refer to exportquestions@flir.com with any questions. Diversion contrary to US law is prohibited.

Modified 2019-09-30	Check -	Drawn by R&D Instruments	
Denomination			
Basic dimensions FLIR GF7x			Size A3 Scale 1:2 Drawing No. T130694
			Sheet 1(4) Rev B

# Camera with Lens IR f=18mm (25°)

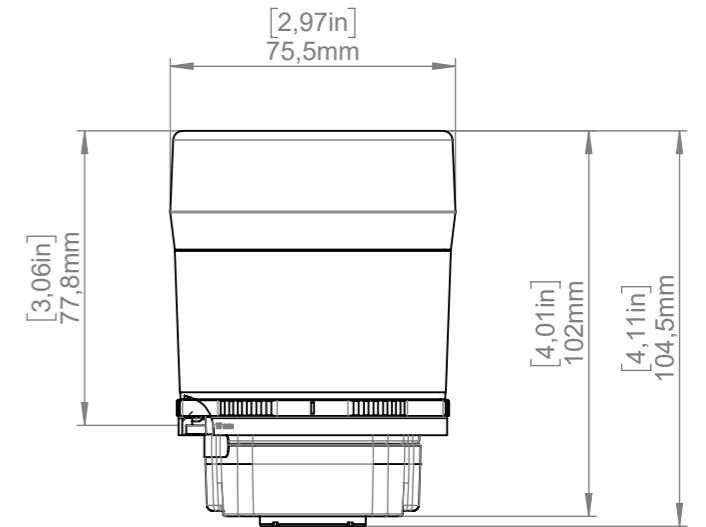
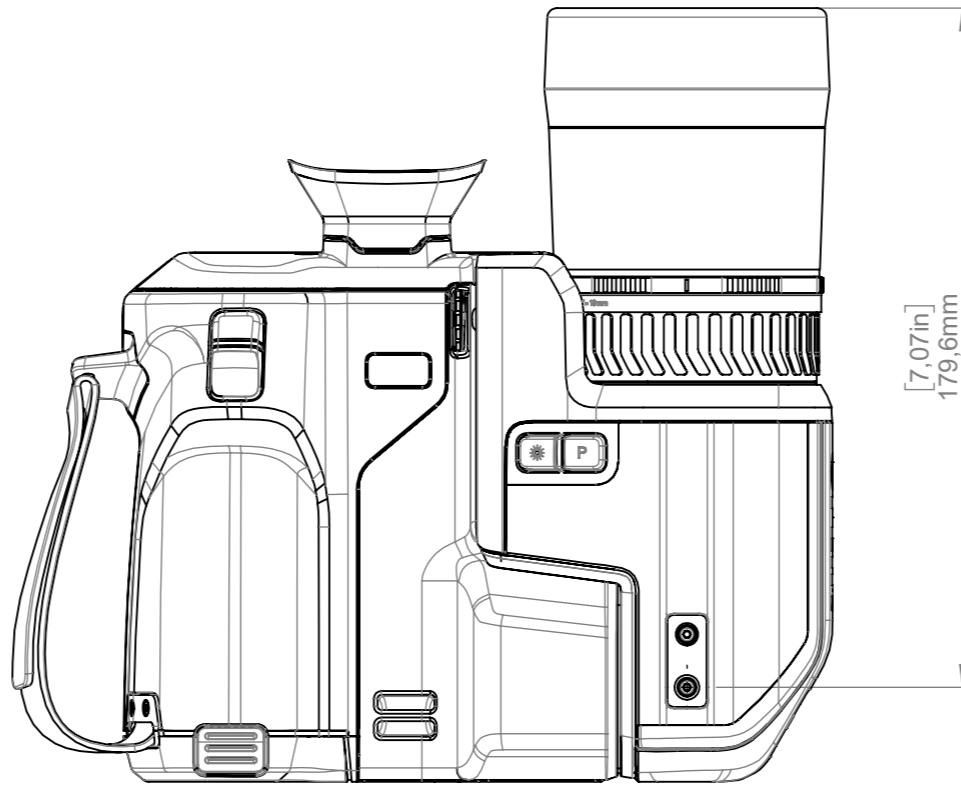
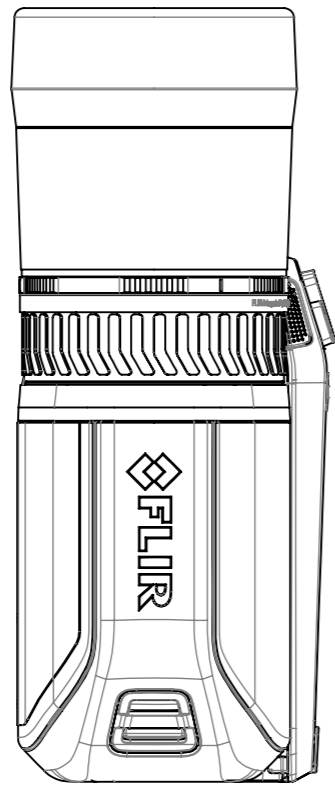
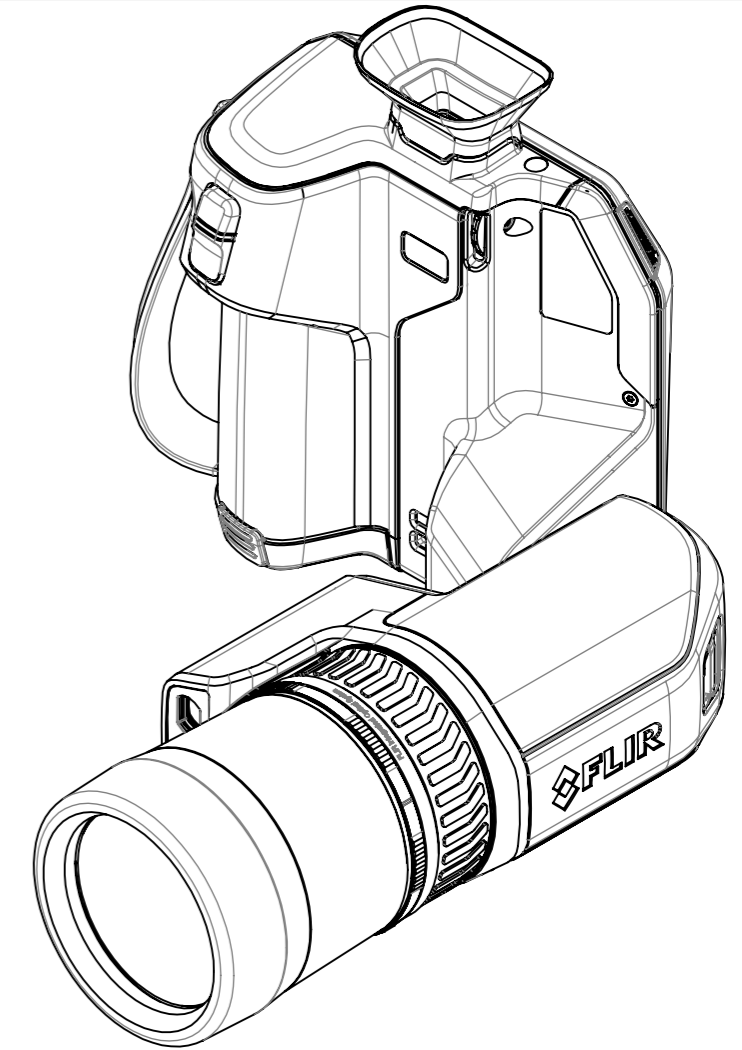
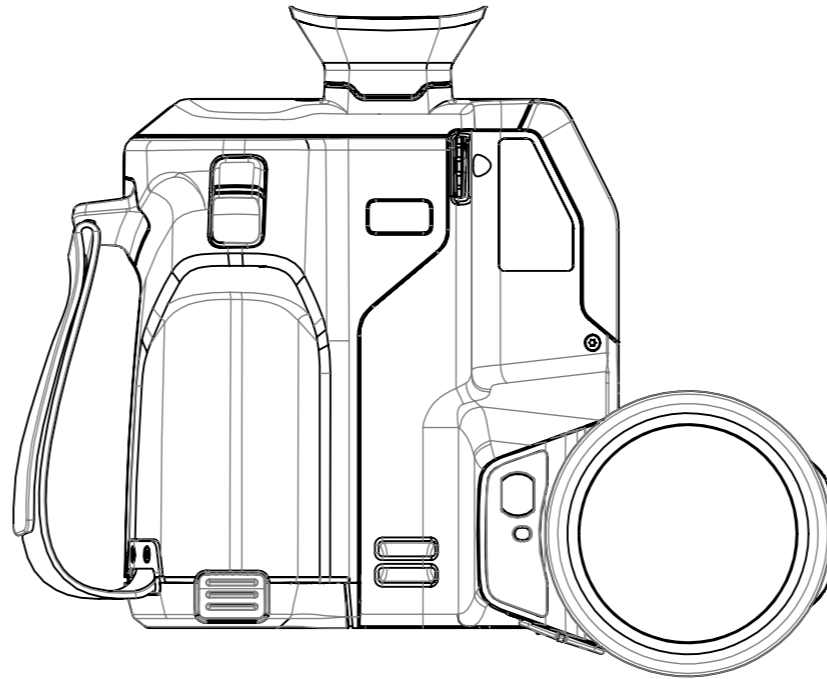
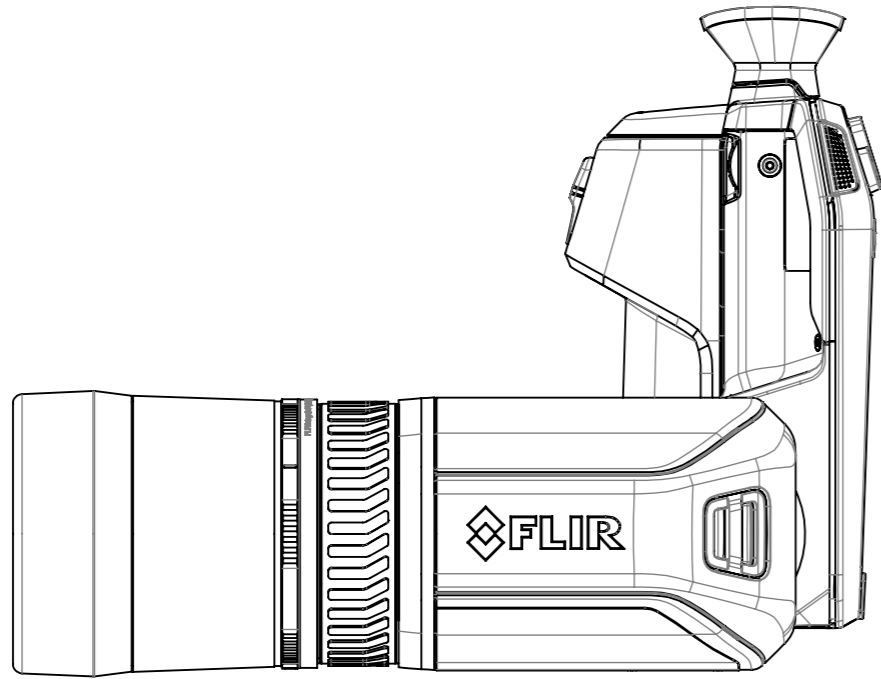


For additional dimensions see page 1

© 2016 FLIR Systems, Inc. All rights reserved worldwide. No part of this drawing may be reproduced, stored in a retrieval system, or transmitted in any form, or by any means, electronic, mechanical, photocopying, recording, or otherwise without written permission from FLIR Systems, Inc. Specifications subject to change without further notice. Dimensional data is based on nominal values. Products may be subject to regional market considerations. License procedures may apply. Product may be subject to US Export Regulations. Please refer to exportquestions@flir.com with any questions. Diversion contrary to US law is prohibited.

Modified 2019-09-30	Check -	Drawn by R&D Instruments	
Denomination <b>Basic dimensions FLIR GF7x</b>			
Size <b>A3</b>	Scale <b>1:5</b>	Sheet <b>2(4)</b>	
Drawing No. <b>T130694</b>	Rev <b>B</b>		

# Camera with Lens IR f=74mm (6°)

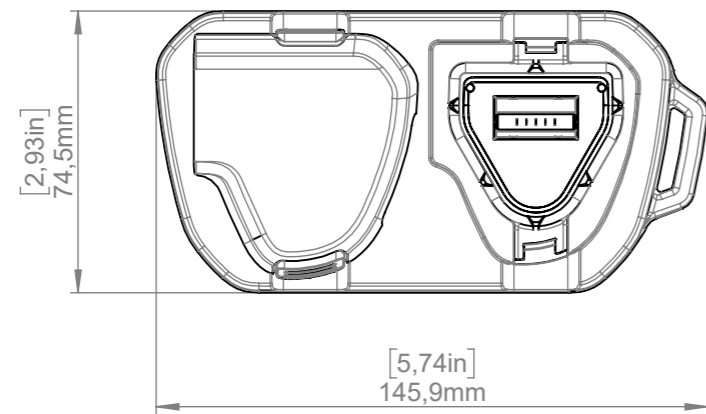
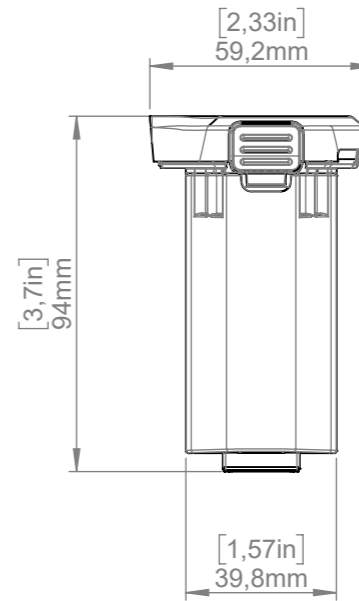
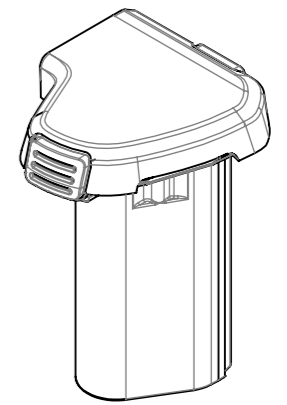
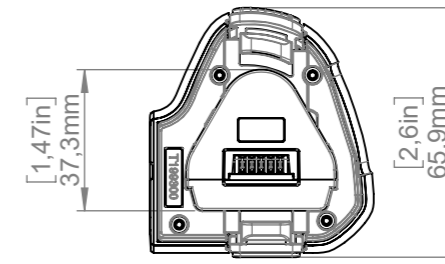
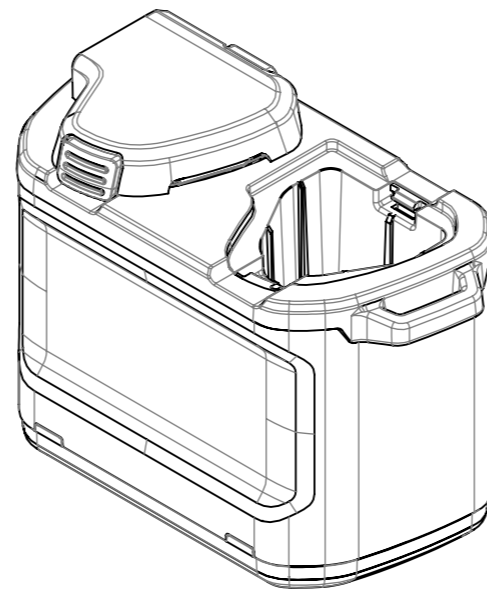
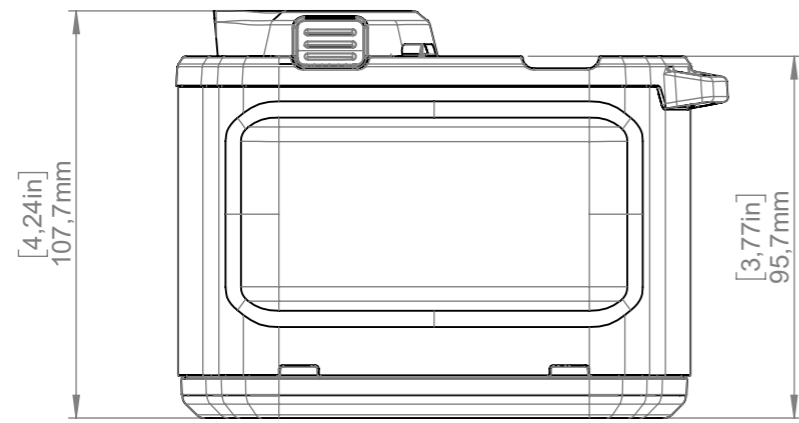


For additional dimensions see page 1

© 2016 FLIR Systems, Inc. All rights reserved worldwide. No part of this drawing may be reproduced, stored in a retrieval system, or transmitted in any form, or by any means, electronic, mechanical, photocopying, recording, or otherwise without written permission from FLIR Systems, Inc. Specifications subject to change without further notice. Dimensional data is based on nominal values. Products may be subject to regional market considerations. License procedures may apply. Product may be subject to US Export Regulations. Please refer to exportquestions@flir.com with any questions. Diversion contrary to US law is prohibited.

Modified 2019-09-30	Check -	Drawn by R&D Instruments	
Denomination			
Basic dimensions FLIR GF7x			Size A3 Scale 1:5 Drawing No. T130694
			Sheet 3(4) Rev B

# Battery Charger



© 2016 FLIR Systems, Inc. All rights reserved worldwide. No part of this drawing may be reproduced, stored in a retrieval system, or transmitted in any form, or by any means, electronic, mechanical, photocopying, recording, or otherwise without written permission from FLIR Systems, Inc. Specifications subject to change without further notice. Dimensional data is based on nominal values. Products may be subject to regional market considerations. License procedures may apply. Product may be subject to US Export Regulations. Please refer to exportquestions@flir.com with any questions. Diversion contrary to US law is prohibited.

Modified 2019-09-30	Check -	Drawn by R&D Instruments		
Denomination <b>Basic dimensions FLIR GF7x</b>				Size <b>A3</b>
			Scale <b>1:5</b>	Sheet <b>4(4)</b>
			Drawing No. <b>T130694</b>	Rev <b>B</b>