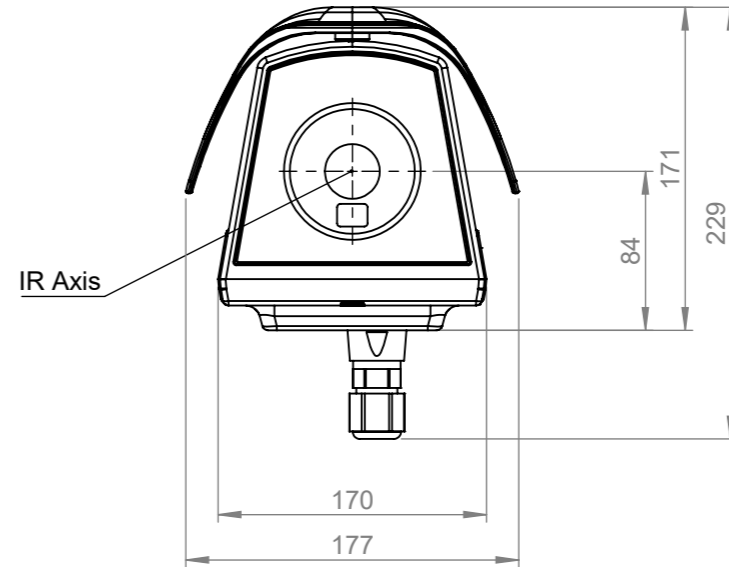
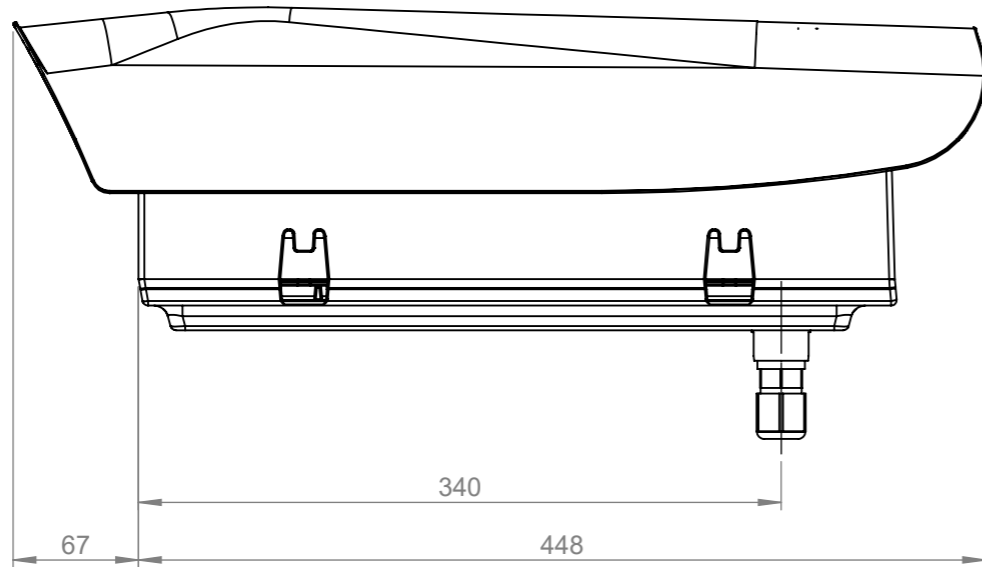
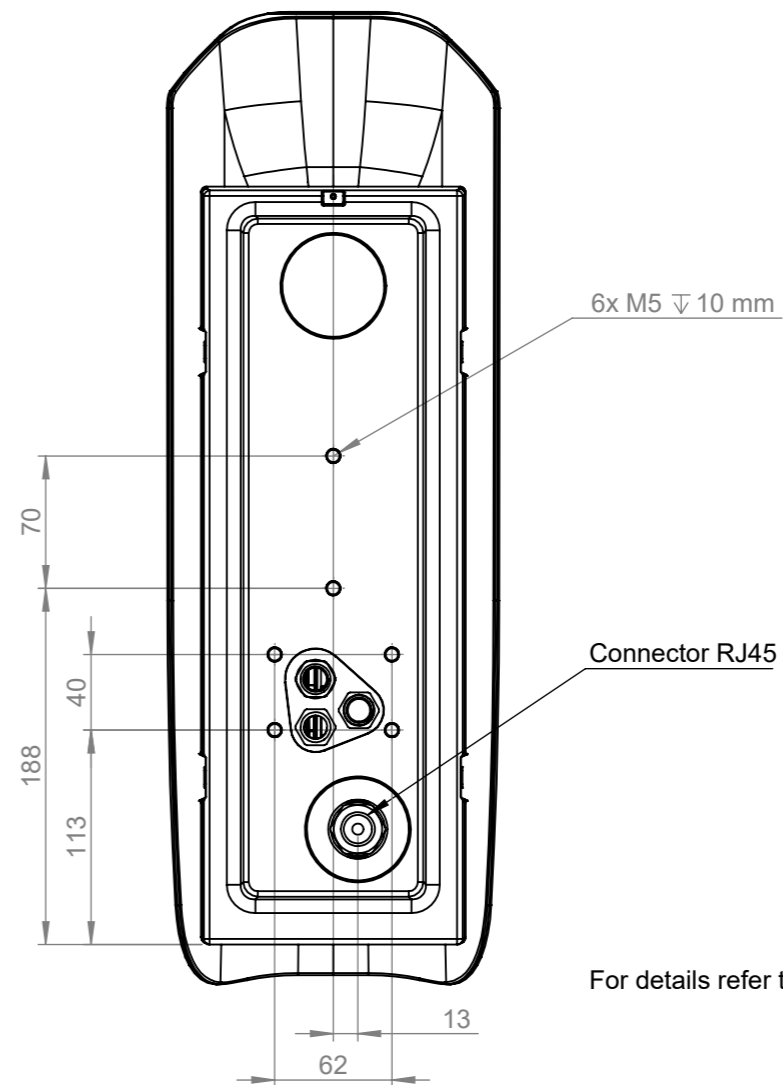
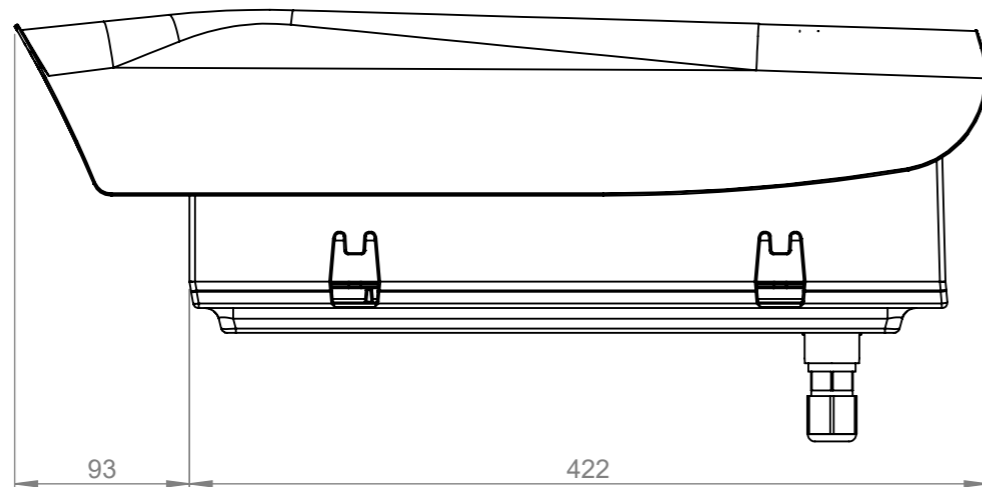


© 2016 FLIR Systems, Inc. All rights reserved worldwide. No part of this drawing may be reproduced, stored in a retrieval system, or transmitted in any form, or by any means, electronic, mechanical, photocopying, recording, or otherwise without written permission from FLIR Systems, Inc. Specifications subject to change without further notice. Dimensional data is based on nominal values. Products may be subject to regional market considerations. License procedures may apply. Product may be subject to US Export Regulations. Please refer to exportquestions@flir.com with any questions. Diversion contrary to US law is prohibited.

SUNSCREEN CENTERED POSITION

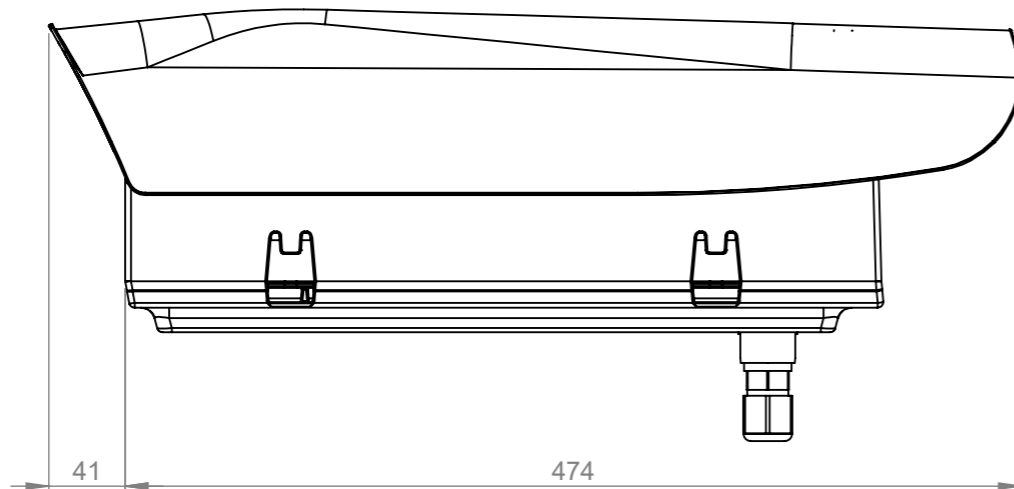


SUNSCREEN FORWARD POSITION



For details refer to article T300233

SUNSCREEN BACKWARD POSITION



Modified 2022-10-19	Check FRGU	Drawn by R&D Instruments	
Denomination			
Basic Dimension Env. Housing Axxx			Scale 1:4
Drawing No. T131399			Sheet 1(1)
			Rev B